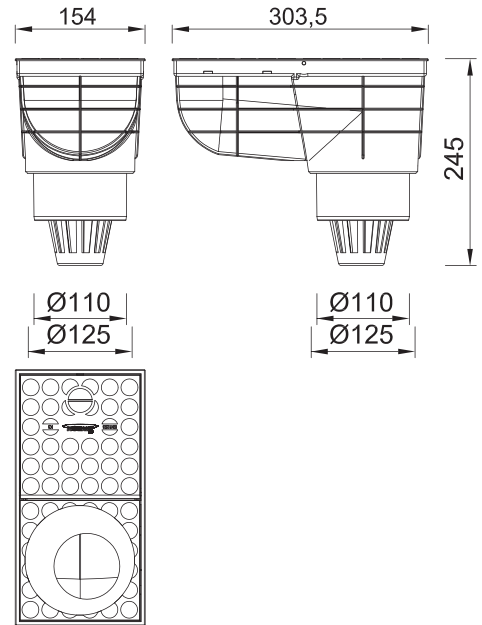


Trap for rain and roof water outlet
Ø110 mm



WE ARE BUILDING NEW CONNECTIONS



DURABLE

The plastic product can withstand all environmental conditions. There is no liquid absorption or subin mold which guarantees a long life service.



SIMPLICITY

Our products are quick to ordering



RECYCLABILITY

The plastic's main advantage of the recycling. All products are 100% recyclable.



PP - Polypropylene

Polypropylene (abbreviated PP, molecular formula (C₃H₆)_x) thermoplastic polymer is produced by the chemical industry and is widely used. The third most common plastic polymerization.

PRODUCT DATAS

Quantity:	4 pc
Package weight (kg):	3,795 kg
Package dimension (L x W x T):	318 mm x 524 mm x 318 mm
Default color:	Black
Inlet:	Ø75/Ø100/Ø110/Ø125 mm
Outlet:	Ø125/Ø110 mm
Load capacity:	300 kg
Flow rate:	390 l/min



H-2243 Kóka, Zsámboki út ipartelep



Tel.: +36 29 629 030



E-mail: ertekesites@styron.hu



www.styron.hu

www.styron.hu

STYRON is your best Partner



Buying from STYRON is simple and speedy because you're working directly with the manufacturer.



STYRON offers a great Sales Team who will speak with you regarding your needs and help deliver the best and most efficient plastic solutions.



CERTIFICATIONS & STANDARDS



Contact us at +36.29.629.030/111 to get started.

Connect: www.styron.hu

STYRON:

Styron Ltd. founded in January 1990. From our initial family business of a few people, our company has now more than 100 people, and has grown to become a market-leading drainage fitting manufacturer recognized at European level. The initial family business began to grow into a 100% self-sustaining firm over the years. Styron Kft. has become one of the dominant medium-sized companies in the region, where progress is now more significant than ever. Contact our sales colleagues at the above contacts!



„Quality is the foundation of the market”